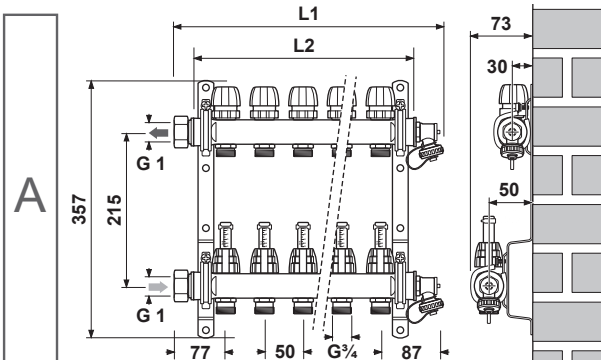
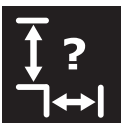
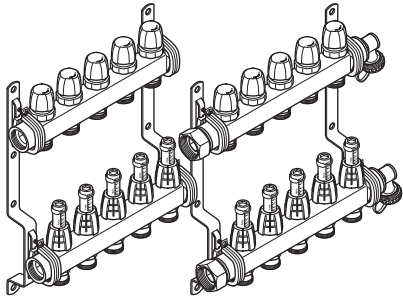
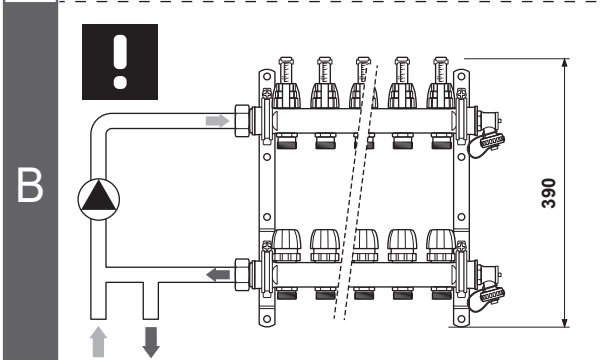


Uponor

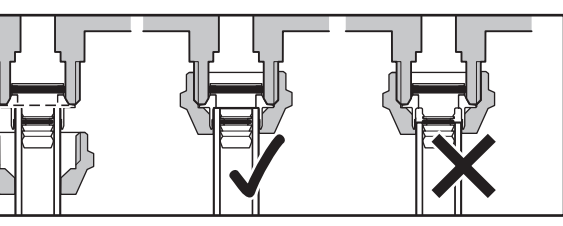
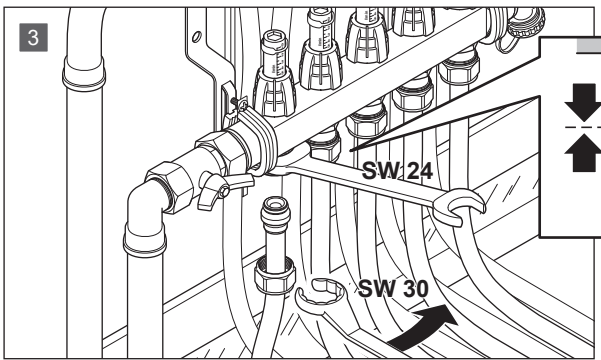
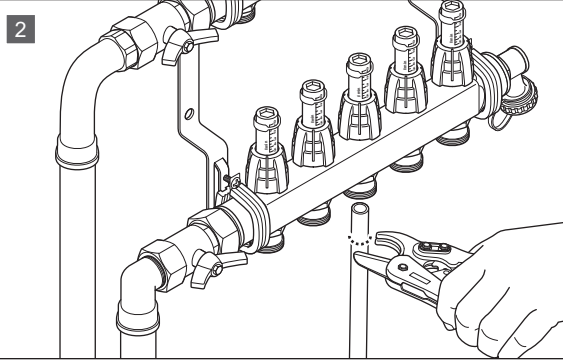
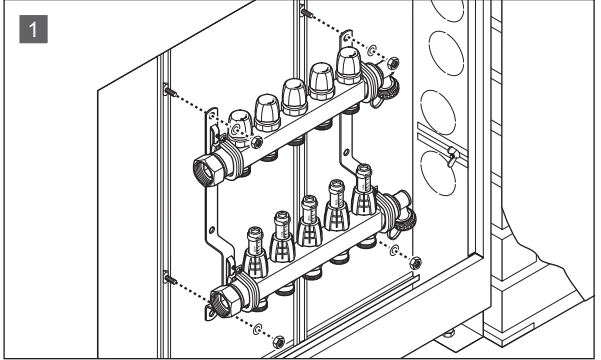
Uponor Vario S Manifold FM



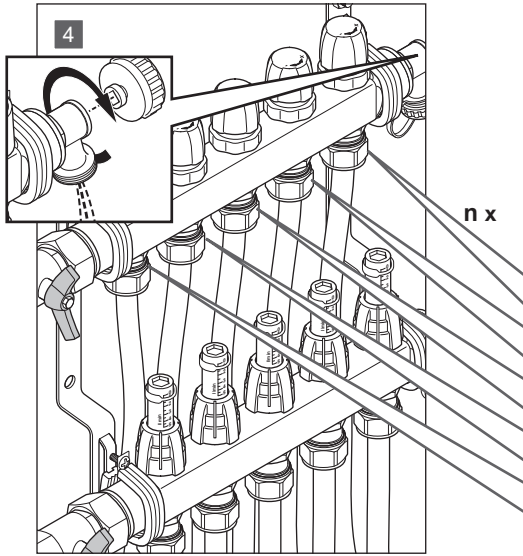
n	L1 [mm]	L2 [mm]	n	L1 [mm]	L2 [mm]
2	214	155	10	614	555
3	264	205	11	664	605
4	314	255	12	714	655
5	364	305	13	764	705
6	414	355	14	814	755
7	464	405	15	864	805
8	514	455	16	914	855
9	564	505			



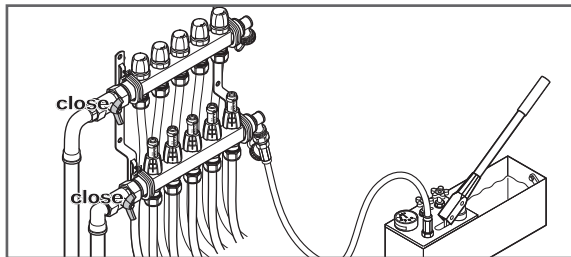
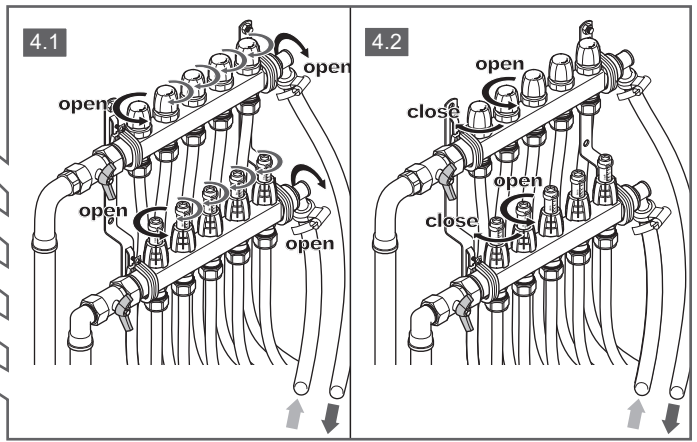
- $\vartheta_{sec} = 15 - 60^{\circ}C$
- $P_{max} = 6 \text{ bar}$
- $P_{test} = 10 \text{ bar}$
- $kvs = 0,95 \text{ m}^3/h$
- $kvs = 2,83 \text{ m}^3/h$
- $\dot{V}_{max} = 3,6 \text{ m}^3/h$ (12 loops)



! max. 25-30 Nm



EN 1264



2 h

P = 4 - 6 bar



A

B

1,5 L/min

l/min

1 2 3 4 5

1,5 L/min

0 1 2 3 4 5

1,5 L/min

0 1 2 3 4 5

1,5 L/min

0 1 2 3 4 5

Uponor floor heating calculations
 Uponor Fußbodenheizungsberrechlung
 Uponor vloerwarmingberekening
 Calculations du chauffage par le sol Uponor
 Calcolo riscaldamento a pannelli radianti Uponor

Room heating circuit data
 Raum-Heizkreis-Daten
 Données des pièces - circuits de chauffage
 Dati circuito riscaldamento locale

Room No.	Heating circuit No.	Quantity of pipes	Value adjustment
1	1	2	0,5
1	2	5	3
2	3	2	1
3	4	4	4
4	5	1,5	2

1,5 L/min

0 1 2 3 4 5

1,5 L/min

0 1 2 3 4 5

1,5 L/min

0 1 2 3 4 5



Uponor Vario S



www.uponor.com/services/download-centre

Uponor GmbH

Industriestraße 56,
D-97437 Hassfurt, Germany

1143222 v2_12_2024
Production: Uponor / JLI

Uponor reserves the right to make changes, without prior notification, to the specification of incorporated components in line with its policy of continuous improvement and development.



www.uponor.com